

AMAXX®

Industrial data signal distributor

 **MENNEKES®**

Plugs for the world

Addition to
installation & operating manual

**Receptacle Combination
AMAXX® (01/03.2014)**

ENGLISH



Addition v01 / 02.2016

Table of contents

1. About this document	4
2. For your safety.....	4
2.1 Target groups.....	4
2.2 Intended use	4
2.3 Improper use	5
3. Device layout	6
4. Assembly and setting-up process.....	7
4.1 Connecting the Schuko® sockets	7
4.2 Connecting the network cables.....	7
4.3 Earthing the device.....	8
5. Operation	8
5.1 Opening the device	8
5.2 Installing network devices.....	8
5.2.1 Installation space for network components	8
5.2.2 Securing and connecting the network device .	9
5.2.3 Connecting the Cepex data socket.....	9
5.3 Closing the device	9
6. Cleaning.....	9
7. Maintenance	9
8. Taking out of service and dismantling	10
9. Faults	10
10. Storage and disposal.....	10
11. Technical data	10
11.1 Name plate.....	10
11.2 Device dimensions	10

1. About this document

This document is an addition to the current **installation & operating manual for receptacle combination AMAXX® (01/03.2014)**.

This addition includes instructions for using the data signal distributor and is complete only together with the said installation and operating manual.

This manual contains instructions that you have to observe for your personal safety and to prevent injury or damage.

Apart from this manual, additional documentation (e.g. manuals of device components) may be included that you have to observe fully.

Keep this manual and additional documentation together with the installation & operating manual for future reference.

Symbols used



This symbol identifies operations that only a qualified electrician may carry out.



This symbol indicates an important note.

- ▶ The triangle marks a prompt for action.
- 📄 This symbol identifies a reference to another document.

2. For your safety

2.1 Target groups



Contrary to the information in the **installation & operating manual for receptacle combination AMAXX® (01/03.2014)**, all mentioned target groups may open this device.

This applies in particular to electrical non-professionals, as opening is required for the installation of network devices.

2.2 Intended use

The device on hand is an industrial data signal distributor based on the receptacle combination AMAXX®.

You can accommodate and operate individual network devices (e.g. switch, router, WLAN access point) in the data signal distributor.

The unit is intended for permanent installation and for indoor and outdoor use.

You need to read and follow the documentation supplied as part of the product and keep it accessible at all times.

- ▶ Apart from this manual, also follow the installation & operating manual for receptacle combination AMAXX® (01/03.2014) and any additional documentation (e.g. manuals of device components).

The operator is responsible for the proper and safe use of the device.

MENNEKES Elektrotechnik GmbH & Co. KG assumes no liability for the consequences of improper use.



Only a qualified electrician may carry out the installation and connection to the power supply.

2.3 Improper use

Using the device is safe only when used as intended.

The following is inadmissible and must be avoided:

Disregarding the manual

- ▶ Please read the manual before using the device.
- ▶ Comply with described procedures and sequence of work steps.
- ▶ Carry out only those operations for which you have received authorization.

Using a damaged device

- ▶ Do not use a damaged device.
- ▶ Have a qualified electrician repair the device.

Manipulation of the device

- ▶ Besides installing and removing network components, do not modify or convert the device.
- ▶ Do not remove any parts of the device.
- ▶ Do not use adapter plugs in conjunction with the device.

Use of unsuitable cleaning agents

- ▶ Do not use aggressive detergents or chemicals for cleaning since they may attack and damage surfaces.

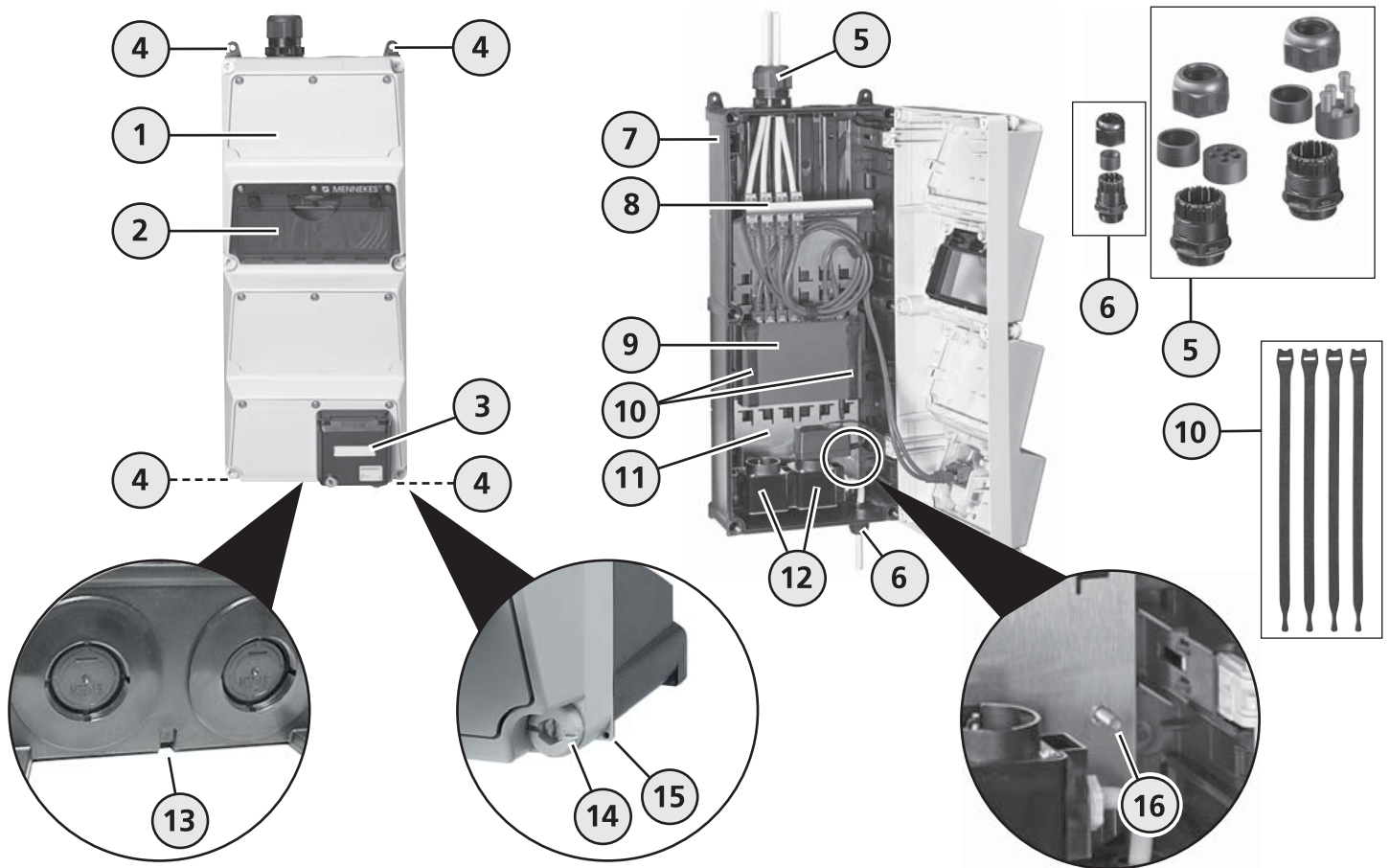
Use of unauthorised spare parts and accessories

- ▶ Use only spare parts and accessories that are manufactured and / or approved by MENNEKES.

Use under unsuitable ambient conditions

- ▶ Do not use the device in potentially explosive atmospheres where flammable liquids, gases or dust are present – explosion and fire risk.
- ▶ Keep device away from heat sources.
- ▶ Observe local regulations.

3. Device layout



○----- = not illustrated

- 1 Hinged enclosure top
- 2 Inspection window
- 3 Lockable Cepex data socket with RJ45 right angle connector
- 4 Fastening tab
- 5 AMAXX cable gland top (2 pieces) *
- 6 AMAXX cable gland bottom (1 piece) *
- 7 Bottom part of enclosure
- 8 Patch field with 8 slots (for RJ45 Keystones **)
- 9 Network component (e.g. switch, router, W-LAN access point) **
- 10 Hook and loop fastener (4 pieces) *
- 11 Mounting plate for network devices
- 12 Schuko® sockets (for connection network components)
- 13 Break-apart drainage opening
- 14 Captive enclosure screws (4 pieces)
- 15 Sealing point
- 16 Earth connection (bolt M6)

* Included!
 ** Not included!

4. Assembly and setting-up process

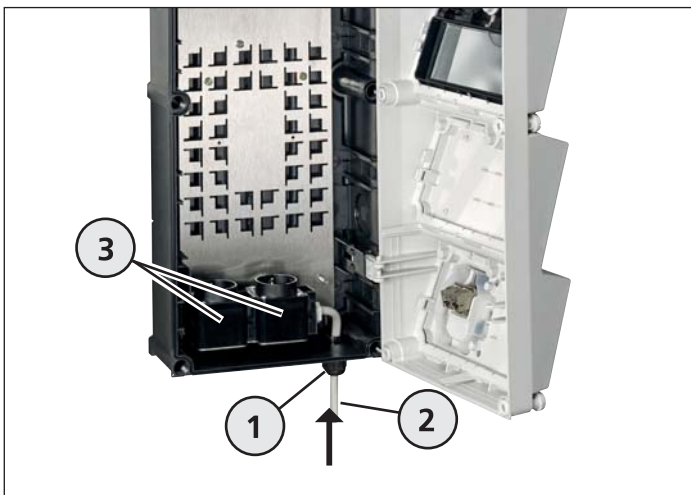


Only a qualified electrician may carry out the installation and setting-up process!

- Follow the installation & operating manual of "receptacle combination AMAXX® (01/03.2014)" for installation and setting-up process.
- Follow also the documentation of the network device by the device manufacturer.

In addition to the said installation & operating manual, overserve the following instructions for the data signal distributor.

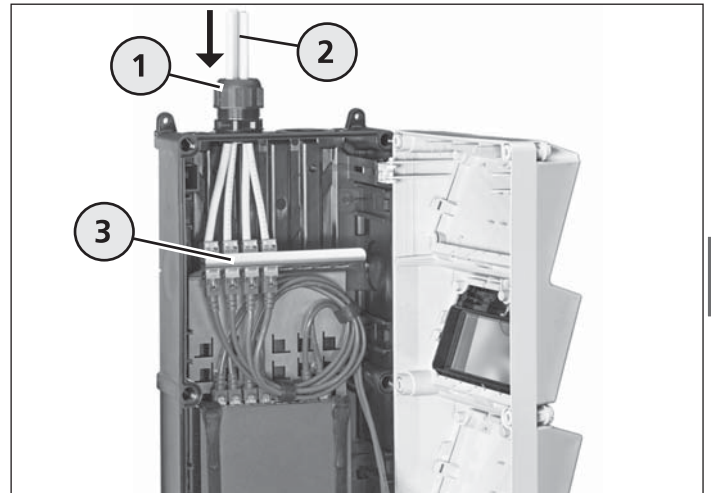
4.1 Connecting the Schuko® sockets



Connecting the Schuko® sockets

- ▶ Use a suitable tool to open the appropriate port of the respective cable gland.
- ▶ Install the supplied M20 cable gland (1) in the opening provided on the enclosure.
- ▶ Route the supply line (2) through the cable gland into the enclosure.
- ▶ Connect Schuko® sockets (3) and route the sheath of the supply line into the enclosure of the sockets (supply line 1.5 - 2.5 mm² NYM).
- ▶ Tighten the cable gland.

4.2 Connecting the network cables



Connecting the network cables

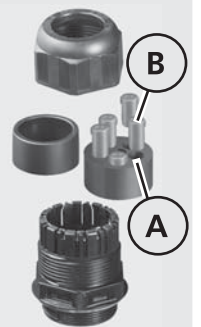
- ▶ Install the supplied M40 cable gland (1) in the opening provided on the enclosure. Install one or two cable glands depending on the number of network cables (2).



The MENNEKES cable gland is suitable for using several network cables.

Openings (A) not used must be sealed with the included dummy plug (B) to prevent penetration of dirt and moisture.

Keep unused dummy plugs.



- ▶ Route network cables through the cable gland into the enclosure.
- ▶ Tighten the cable gland.
- ▶ Connect network cables to keystones and snap in the patch field (3).

4.3 Earthing the device

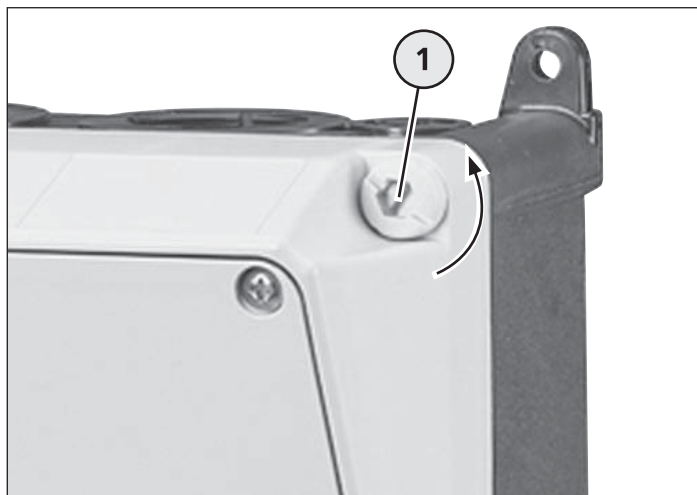


Carry out additional earthing of the data signal distributor required due to local circumstances according to applicable regulations. The distributor provides an earth connector for this purpose (see illustration in Chapter 3, no. 16).

5. Operation

5.1 Opening the device

You have to open the device for installing network devices.



Opening the device

- ▶ Open the upper part of the enclosure by turning the casing screws (1) with a suitable tool.



Opening the device

- ▶ Pull the enclosure cover (1) slightly forward and swing open.

5.2 Installing network devices

The distributor provides mounting plates with cut-outs where the network devices (e.g. switch, router, W-LAN access point) can be secured with hook and loop fasteners. This flexible mounting allows the use of varied network devices.



When selecting network devices, you have to consider the power loss and the permissible temperature range of the devices. Failure to comply may result in damages to the device.

- ☞ Please refer to the information on the nameplate in data signal distributor.
- ☞ Note the manufacturer information of the network devices.

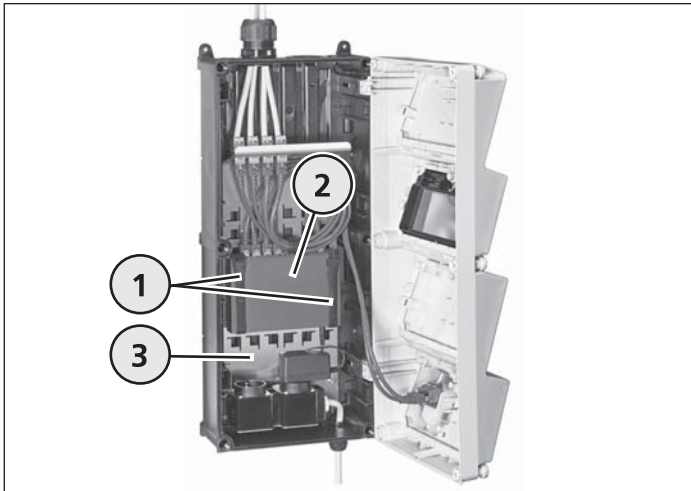
5.2.1 Installation space for network components

The installation space in the data signal distributor amounts to: approx. 200 mm x 265 mm x 95 mm (L x W x H)



The data signal distributor must close fully with network devices installed.

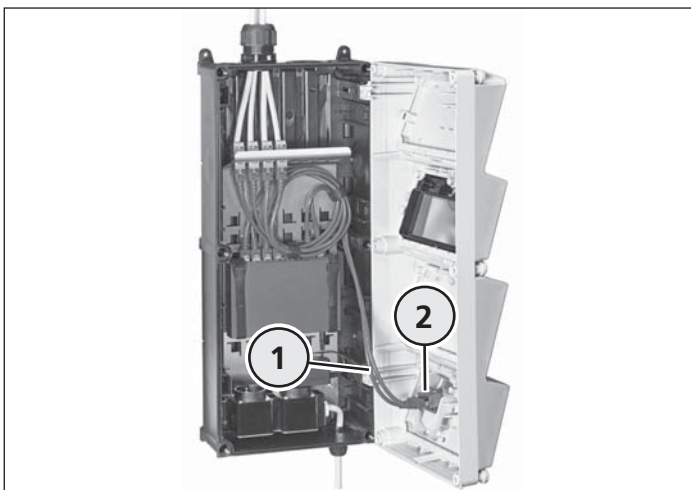
5.2.2 Securing and connecting the network device



Securing and connecting the network device

- ▶ Position the hook and loop fastener (1) depending on the intended network device (2) horizontally or vertically on the mounting plate (3).
For this purpose, feed the hook and loop fasteners through the cut-outs behind the mounting plate.
 - ▶ Insert network device and secure with hook and loop fasteners.
 - ▶ Check the network device for firm seating.
 - ▶ Plug the power supply of the network device into the Schuko® socket.
- 📄 Refer to the documentation of the network device's manufacturer for setting-up process and operation.

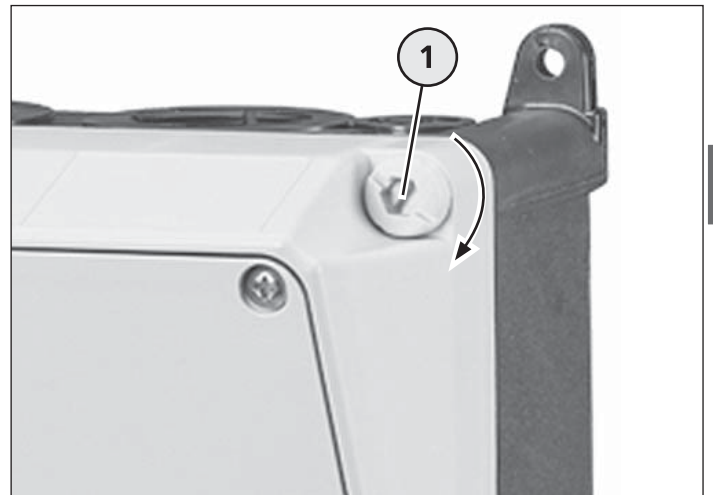
5.2.3 Connecting the Cepex data socket



Connecting the Cepex data socket

- ▶ Connect the patch cable (1) to the data socket (2).

5.3 Closing the device



Closing the device

- ▶ Swing the enclosure cover for closing.
- ▶ Tighten the casing screws (1) with a suitable tool.

6. Cleaning

- 📄 Follow the installation & operating manual of "receptacle combination AMAXX® (01/03.2014)" for cleaning.

7. Maintenance



Only a qualified electrician may carry out maintenance!

- 📄 Follow the installation & operating manual of "receptacle combination AMAXX® (01/03.2014)" for maintenance.

8. Taking out of service and dismantling



Only a qualified electrician may take the device out of service and dismantle it!

- Follow the installation & operating manual of "receptacle combination AMAXX® (01/03.2014)" for taking out of service and dismantling.

9. Faults

- If a fault on a network device exists, please refer to the documentation of the manufacturer.

A qualified electrician must check a fault on the data signal distributor (e.g. a fault in the power supply).

10. Storage and disposal

- Follow the installation & operating manual of "receptacle combination AMAXX® (01/03.2014)" for storage and disposal.

11. Technical data

11.1 Name plate

The data signal distributor has two nameplates: 1x on the outside of the enclosure; 1x inside the enclosure.

Name plate outside (example)



Item	Explanation
1	Type / part number
2	Rated current (A)
3	Rated voltage
4	Frequency (Hz)
5	Back-up fuse (A)
6	Serial number
7	Protection class
8	Product standard
9	Manufacturing code

Name plate inside (example)



Item	Explanation
1	Type / part number
2	Available power loss (W)
3	Design
4	Temperature (°C)
5	Protection class
6	Manufacturing code

11.2 Device dimensions

- Note the device dimensions in the installation & operating manual of "receptacle combination AMAXX® (01/03.2014)".



Plugs for the world

MENNEKES

Elektrotechnik GmbH & Co. KG
Spezialfabrik für
Steckvorrichtungen

Aloys-Mennekes-Str. 1
57399 Kirchhundem, Germany

Phone: +49 (0) 2723 / 41-1
Fax +49 (0) 2723 / 41-2 14
E-mail info@MENNEKES.de
Internet www.MENNEKES.de