

Charging column Premium 22 overvltg.

For charging electric vehicles in public areas



MENNEKES
Elektrotechnik GmbH & Co. KG

Aloys-Mennekes-Straße 1
57399 Kirchhundem
GERMANY

www.chargeupyourday.co.uk

Equipment features

General

- Mode 3 charging (IEC 61851-1)
- Plugs and sockets according to IEC 62196-2
- Maximum charging power: 44 kW
- Connection: 1-phase / 3-phase
- Max. charging power configurable by qualified electrician
- Calibrated smart meter eHZ with eMoc, readable from outside (MID-compliant)
- Compliant with calibration law according to conformity assessment procedure
- Calibration law compliant data transfer of signed loading data to the backend system (including user ID)
- Status information via plain text display
- Unlocking function in case of power failure
- Autoswitch function for charging with 20 A and 32 A charging cables
- Enclosure made of sheet steel

Authorisation options

- Autostart (without authorisation)
- RFID (ISO / IEC 14443 A)
Compatible with MIFARE classic and MIFARE DESFire

Networking options

- Connecting to a MENNEKES eMobility Gateway via RS485 bus
- Networking multiple charging stations via RS485 bus
- Connecting to a MENNEKES smart charging column via RS485 bus

Options for connecting to a backend system

- Via RS485 bus and smart charging column
- Via RS485 bus and eMobility Gateway

Options for local load management

- Static load management

Integrated protective devices

- Residual Current Device type B
- Circuit breaker
- Type 2 surge protection

Technical data

Charging column Premium 22 overvltg.		1313612SW
Max. charging power Mode 3 [kW]	Charging point 1	22
	Charging point 2	22
Connection	Charging point 1	1-phase / 3-phase
	Charging point 2	1-phase / 3-phase
Rated current I_{nA} [A]		63
Rated current of a Mode 3 I_{nC} charging point [A]		32
Rated voltage U_N [V] AC $\pm 10\%$		230 / 400
Rated frequency f_N [Hz]		50
Switching device load circuit (load contactor)		32A, 4p (100-250V 50/60Hz)
Max. back-up fuse [A]		According to rating plate / configuration
Rated insulation voltage U_i [V]		500
Rated impulse withstand voltage U_{imp} [kV]		4
Conditional rated short-circuit current I_{CC} [kA]		10
Rated diversity factor RDF		1
Types of system earthing		TN/TT
EMC classification		A+B
Protection class		II
IP rating		IP44
Overvoltage category		III
Mechanical impact protection		IK10
Contamination rating		3
Installation		open air
Stationary / Mobile		fixed
Use (according to IEC 61439-7)		ACSEV
External design		stand mounting
Dimensions H x W x D [mm]		250 x 350 x 1380
Weight [g]		75000
Standard		IEC 61851, IEC 61439-7

The specific standards according to which the product was tested can be found in the declaration of conformity for the product.

Technical data

Permissible ambient conditions

	Min.	Max.
Ambient temperature [°C]	-25	40
Average temperature over 24 hours period [°C]		35
Altitude [m above sea level]		2000
Relative humidity [%]		95

Protective devices

Personal protection (RC)	40 / 0,03A, 4p, type B
Load safety (LS)	C-32A, 3p+N, 10kA
Control fuse (LS)	B-6A, 1p+N, 10kA

Lightning and surge protection

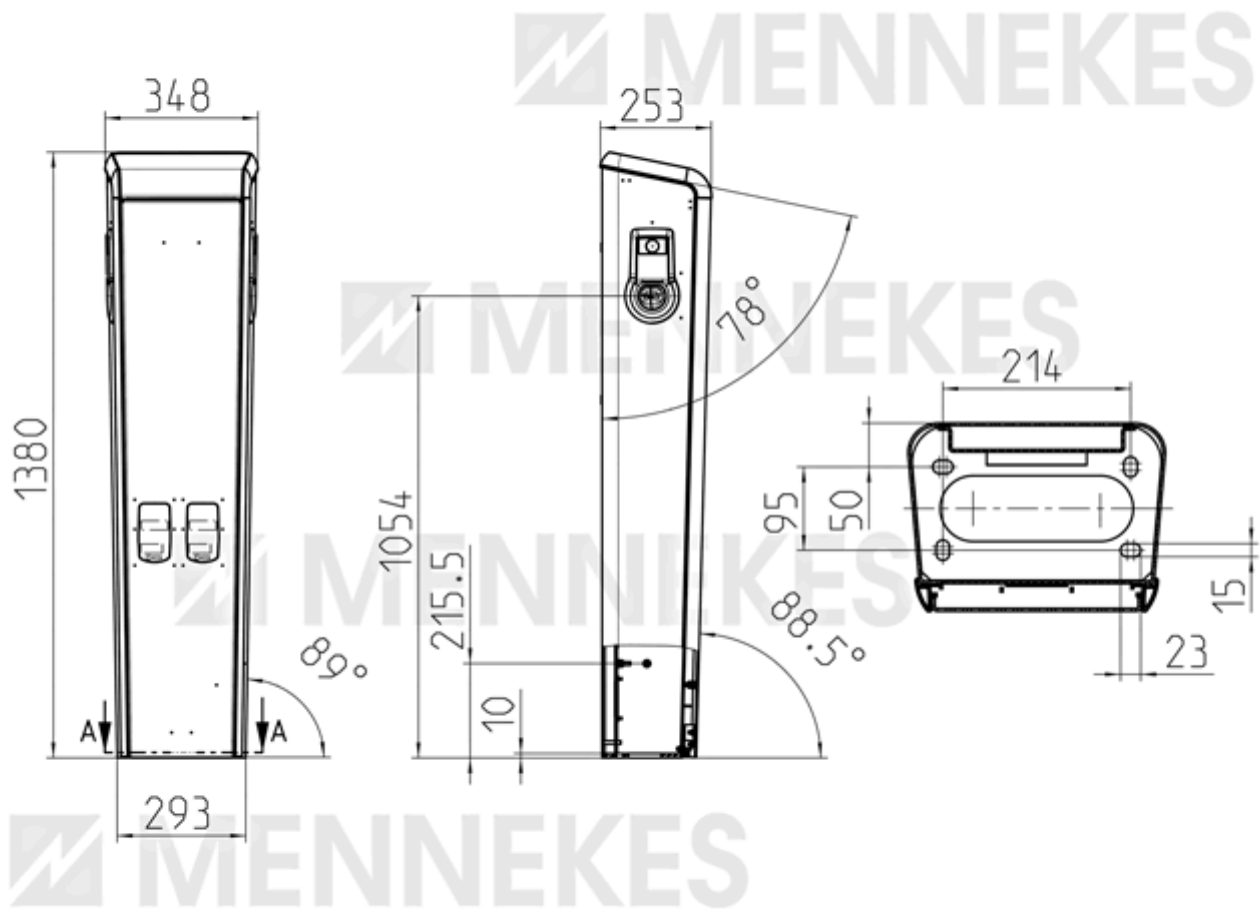
Type 2 surge protection	3+N/PE SPD Class 2
-------------------------	--------------------

Technical data

Supply line terminal strip		
Number of terminals	5x2	
Line material	Copper	
	Min.	Max.
Clamping range - rigid [mm ²]	1.5	50
Clamping range - flexible [mm ²]	1.5	50
Clamping range with ferrule [mm ²]	1.5	35
Tightening torque [Nm]	3.2	3.7

RS 485 bus cable terminal strip		
Number of terminals	2x2	
Number of terminals (shield supports)	2	
	Min.	Max.
Clamping range - rigid [mm ²]	0.08	6
Clamping range - flexible [mm ²]	0.08	4
Clamping range with ferrule [mm ²]	0.14	4
Tightening torque [Nm]	-	-

Dimensional drawing



1 MB 645

Example

